

Flip Top Table

Nesting Work Table



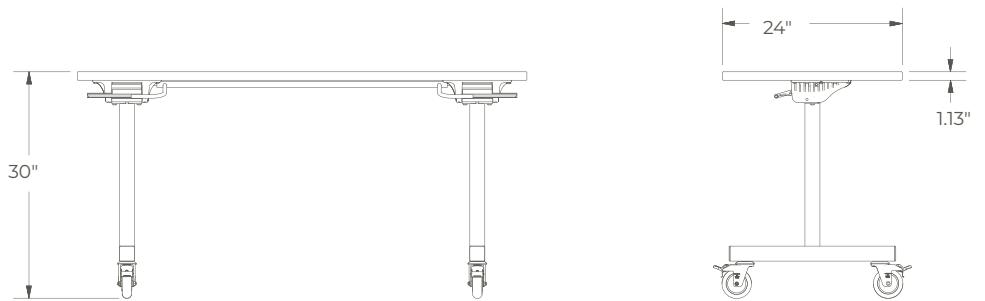
- Hardwood or laminate worksurface options
- Tilting worksurface allows for custom workspace
- Folding and nesting design to help save space
- BIFMA Complaint
- Steel Frame with 24 powder coat finishes
- Made in Austin, TX
- Custom design is available upon request

Specifications

Width: 60", 72"

Depth: 24", 30", 36"

Height: 30"



Available Finishes



Worksurface Options

