

Ellipse Conference Table



- Hardwood or laminate work surface options
- Up to 120" long tables
- Grommets & power supply are optional
- BIFMA Complaint
- Three different steel base models
- 24 powder coat finishes
- Made in Austin, TX
- Custom design is available upon request

Specifications

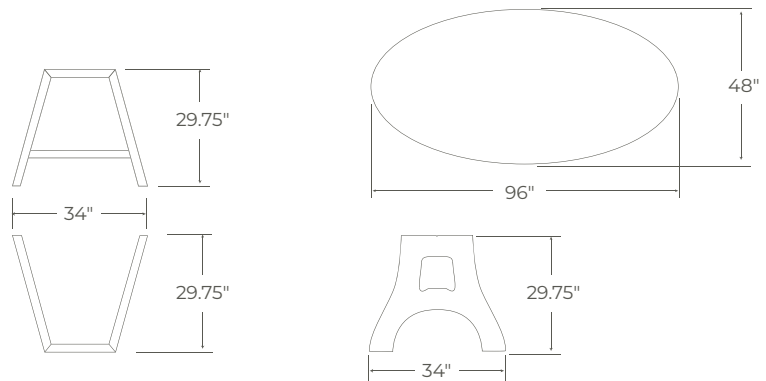
Width: 96", 120"

Depth: 48"

Height: 30" nominal

Bases: A 34", A 46", V 34", V 46",

Eiffel 34", Eiffel 46"



Available Finishes



Worksurface Options

