

Rectangular Conference Table



- Hardwood or laminate worksurface options
- Up to 240" long tables
- Grommets & power supply are optional
- BIFMA Complaint
- Three different steel base models
- 24 powder coat finishes
- Made in Austin, TX
- Custom design is available upon request

Specifications

Width: 72", 96", 120", 144",

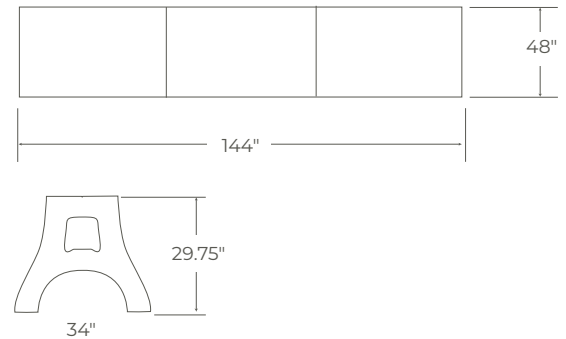
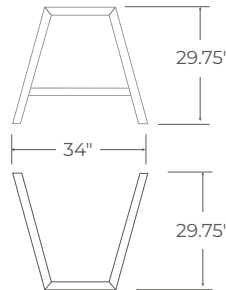
168", 192", 240"

Depth: 36", 48"

Height: 30" nominal

Bases: A 34", A 46", V 34",

V 46", Eiffel 34", Eiffel 46"



Available Finishes



Worksurface Options

