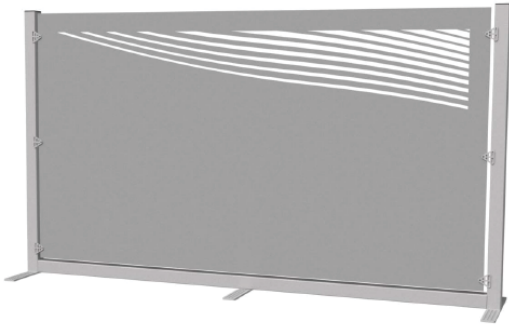


# Steel Gallery Panel



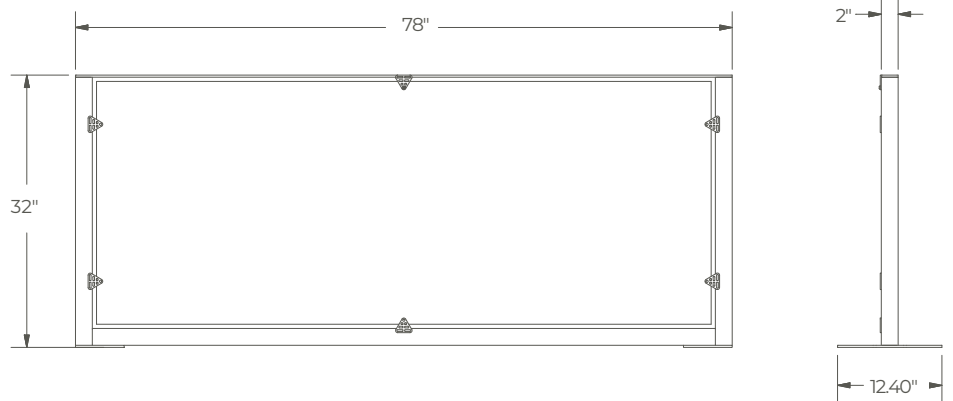
- Vertical or Horizontal sizes available
- Laser-cut steel or solid steel
- Hackable gallery panels with custom brackets (interchangeable middle panels)
- 24 different powder coat finishes available
- Seamlessly integrates with all benching and desk systems
- Made in Austin, TX
- Custom design is available upon request

## Specifications

Width: 78"

Depth: 12"

Height: 32"



## Available Finishes



## Panel Material

