

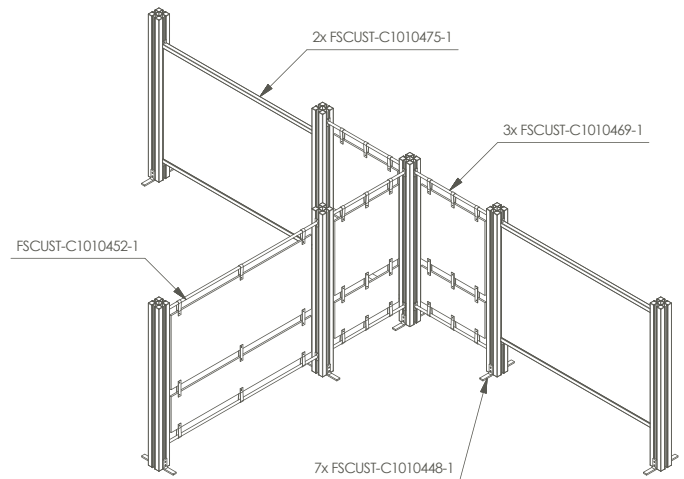
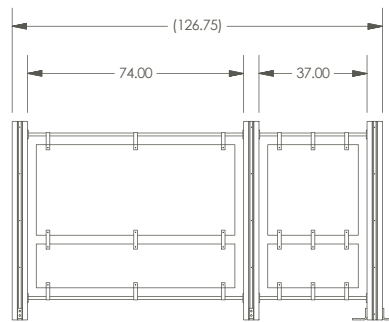
Wall System



- Wood and welded steel frame
- Utilizes certified resourcing and renewable materials
- Extremely customizable for any office setting
- Can be used as an office partition
- 17 powder coat options
- Easy to assemble hardware connection points allow for custom configuration
- Limitless panel material options
- Made in Austin, TX
- Custom design is available upon request

Specifications

37" for Returns
 5.25" between Returns
 74" Panels
 68" Height



Powder Coat Finish Options for Frames and Steel Panels

Black Semi Gloss BK266	Black Texture BK59	Steel Grey Pearlescent T028-GR02	Gray RAL7045	Light Gray RAL7035	Sparkle Silver 049/90450	Light Neutral HHS5-60021	Almond BG01
White Smooth WH11	White Texture WH120	Red D01	Sapphire Blue RAL5003	Traffic Blue RAL5017	Blue RAL5012	Light Ivory RAL7045	Custom Provide us your color values

Panel Material Options

Cork Board, Dry Erase Board, Felt Board, Glass*, Shelves*