

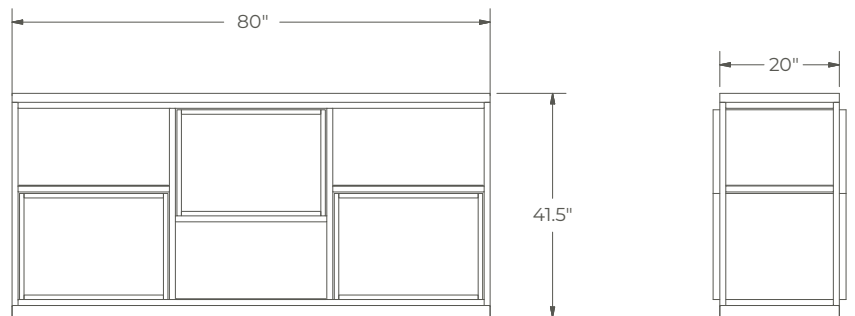
- UV coated Baltic birch shelves
- Laser-cut shelf panels
- Steel frame
- 250 lbs. load capacity per shelf
- 24 powder coat finishes available
- 29 laminate options for upper mantle surface
- Made in Austin, TX
- Custom design is available upon request

Specifications

Width: 80", 160"

Depth: 20"

Height: 41.5", 83"



Available Finishes



Top Surface Options

