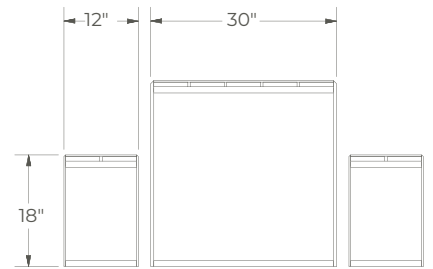
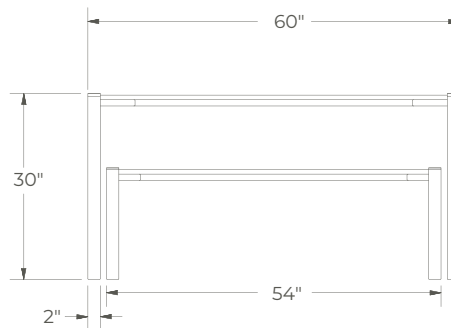




- Table: 60" W x 30" D x 30" H
- 2 x Benches: 54" W x 12" D x 18" H
- Custom design is available upon request.
- Steel frame
- 24 powder coat finishes available
- Made in Austin, TX
- Work surfaces available in sustainable 1 1/2" Accoya w/ Coast Line Stain or IPE

Specifications

Table Width: 60"
 Table Depth: 30"
 Table Height: 30"
 Bench Width: 54"
 Bench Depth: 12"
 Bench Height: 18"



Available Finishes



Surface Options

