

Standing Height Table

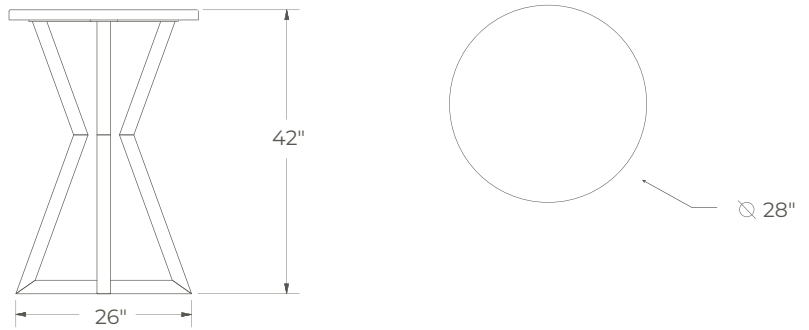


- Industrial hourglass steel base
- 24 powder coat finishes available for steel base
- 29 worksurface options available
- Great option for informal and stand up meetings
- Creates a great environment for social conversations in hospitality common areas
- Made in Austin, TX
- Custom design is available upon request

Specifications

Diameter: 28"

Height: 42"



Available Finishes



Worksurface Options

