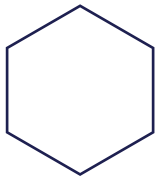


COL-LAB TABLE

C A T A L O G



Col-Lab Table



The Col-Lab Table, designed for off-carpet environments, represents a pivotal element in the future of lab design.

It fosters the creation of **collision zones**, strategically placed areas within the lab where research and collaboration can thrive.

○ Enhanced Workflow & Collaborative Spirit:

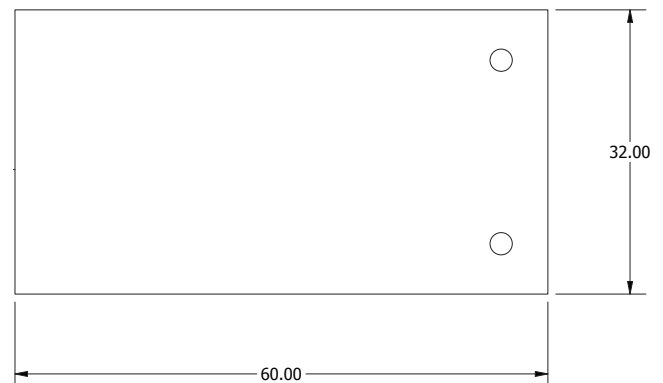
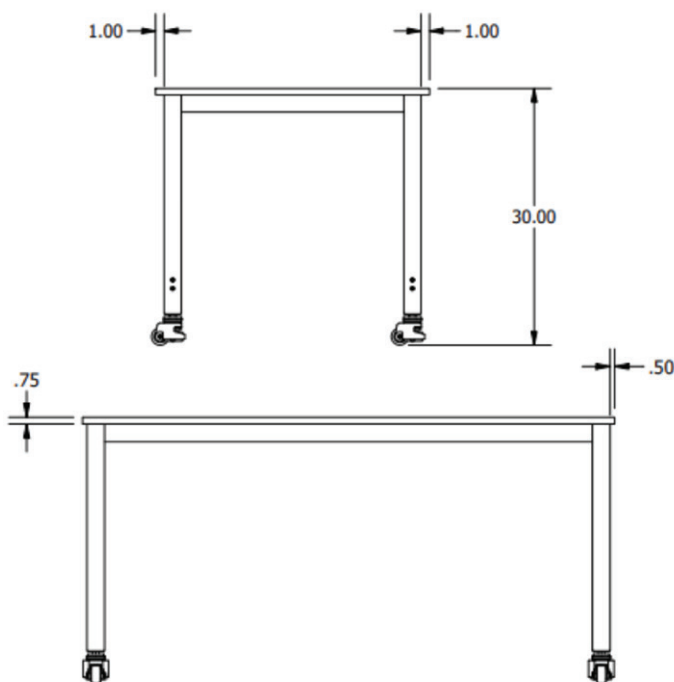
By promoting close-proximity interaction, these zones minimize distances and streamline the research workflow, leading to increased efficiency. The Col-Lab Table further elevates this concept by fostering a more **human-centric** approach to lab work environments.

○ Seamless Collaboration Tools:

The integrated monitor provides a central hub for information sharing, while dry-erase glass partitions encourage brainstorming and real-time communication. This table seamlessly integrates today's collaborative standards for a future-proof lab environment.

Specifications as Seen at NeoCon

- HPL, Continental Walnut 8232K-05 (Worksurface)
- Leveling Casters
- Heavy Duty Frame
- White Texture Steel (Legs)



Finishes

Powder Coat Finish Options for Frames

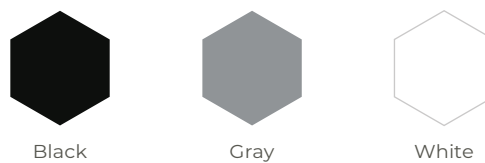


Surface Options

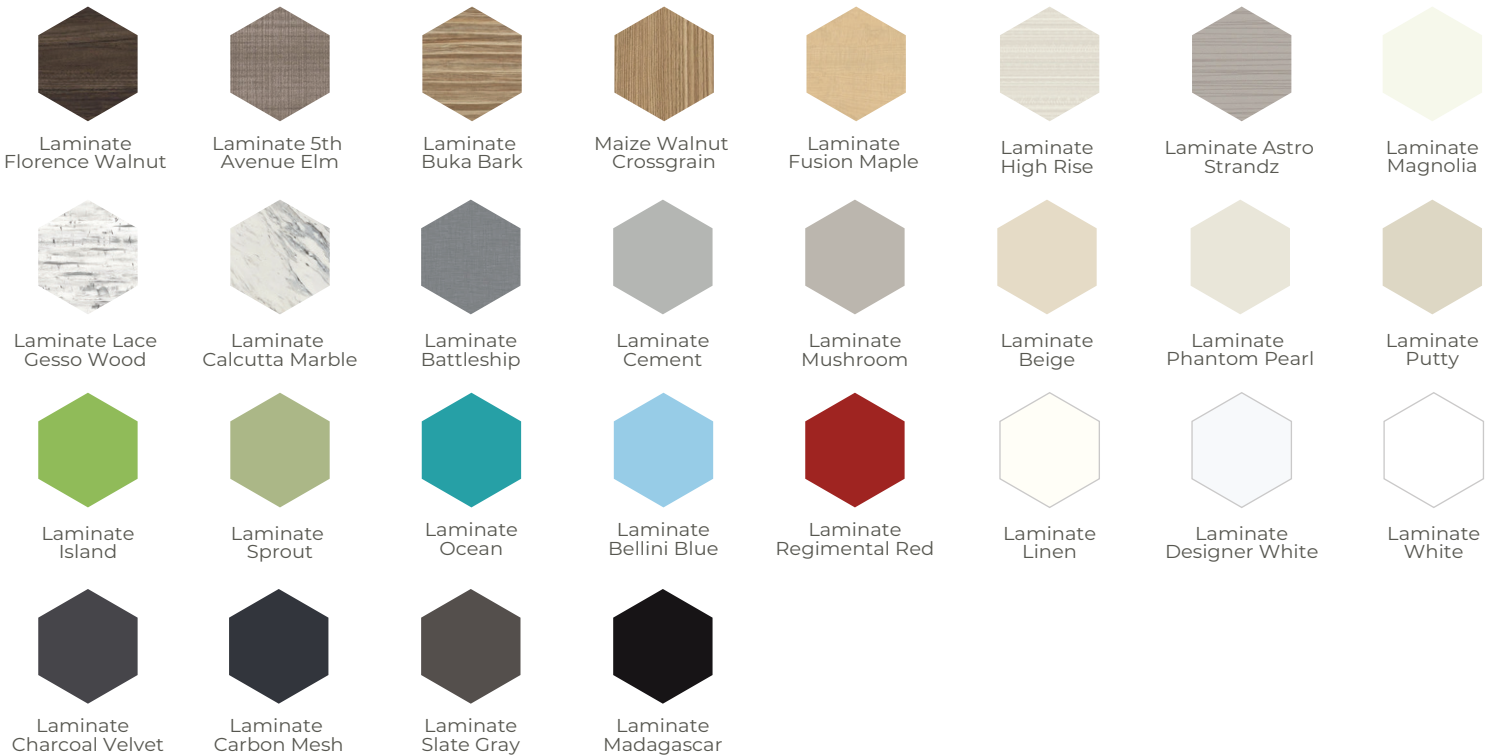
ESD Laminate



High Pressure Laminate



Laminate Options for Table Top





 **FORMASPACE**

 800.251.1505

 design.consultant@formaspace.com

 formaspace.com

