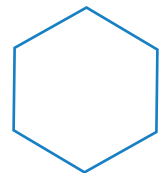
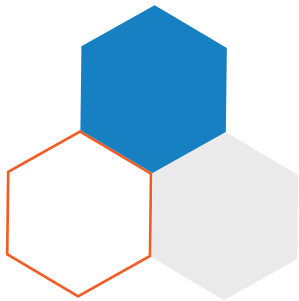
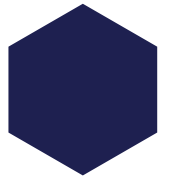
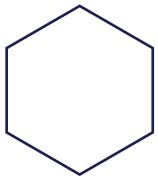


# RGX HOSPITALITY

## C A T A L O G



# RGX Hospitality

## Adaptable Design for the Modern Guest Experience

The RGX Hospitality Collection, encompassing both the credenza and lounge stations, exemplifies the unparalleled adaptability of the RGX system. This versatile collection caters specifically to the needs of hospitality settings.

### RGX - Hospitality Credenza + Pull Out Bar



### RGX - Lounge Station



## Crafted for Comfort and Functionality:

### ○ Lounge Station:

Featuring Wilsonart's Traceless phenolic in Nile Velvet, the lounge station offers a comfortable and stylish seating area. The integrated trash receptacle promotes a clean and functional environment.

### ○ Bar Option:

The bar station boasts a pull-out element and a worksurface constructed from Wilsonart phenolic. This hard-wearing material ensures exceptional durability while its aesthetics infuse a touch of warmth and character into your space.

### ○ Tailored to Your Vision:

The RGX Hospitality Collection offers the same level of flexibility and customization as its lab counterparts. This allows you to design a space that perfectly reflects your unique needs and creates a welcoming guest experience. Choose from a variety of Wilsonart phenolic materials for countertops and fronts to achieve the desired look and functionality.

### ○ Effortless Reconfiguration:

RGX easily adapts to your evolving needs. Modify or expand your layout with minimal disruption, saving you time and money in the long run.

### ○ Seamless Integration:

Integrate RGX seamlessly with your existing furniture, creating a cohesive aesthetic.

### ○ Quick Installation:

Reduce downtime with RGX's easy bolt-together system. Its modular design allows for a faster and more efficient installation process, going from weeks to days.

○

## Benefits



Flexibility to adapt to changing needs



Seamless integration with existing furniture



Depreciates like furniture, not buildings



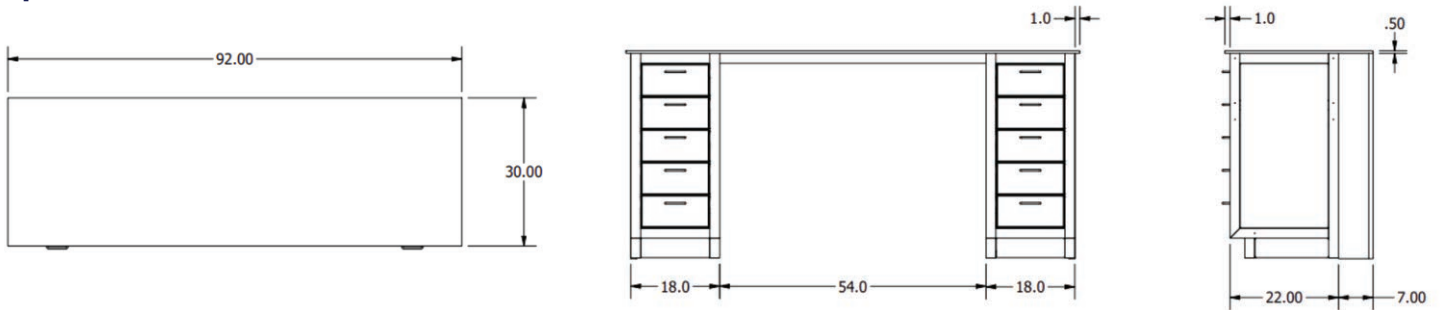
Fast and efficient installation – hours vs days



Designed and built in Austin, TX

# RGX - Credenza & Pull Out Bar

## Specifications



## Specifications as Seen at Neocon

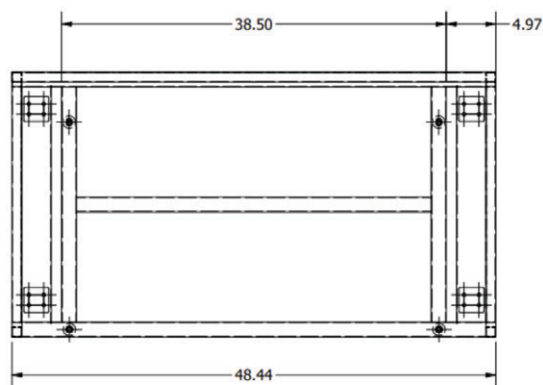
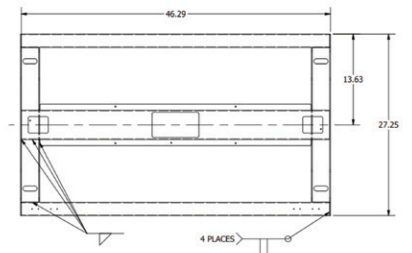
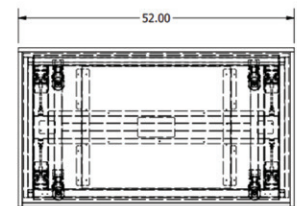
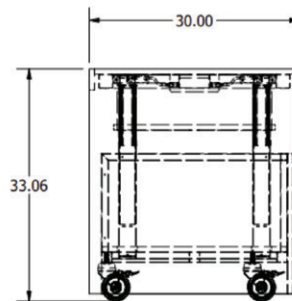
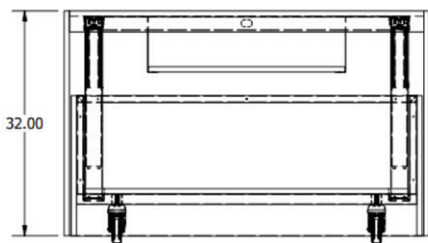
- Thinscape, Pietra Noir TS405 (Worksurface)
- HPL, Nile Velvet 15515 (Front)
- Continental Walnut Timbergrain (Pull Out Bar)
- Black Textured Steel (Frame)
- Black Wire Handles (Pulls)

### List Price as Shown:

RGX Hospitality Credenza: \$7,928.14

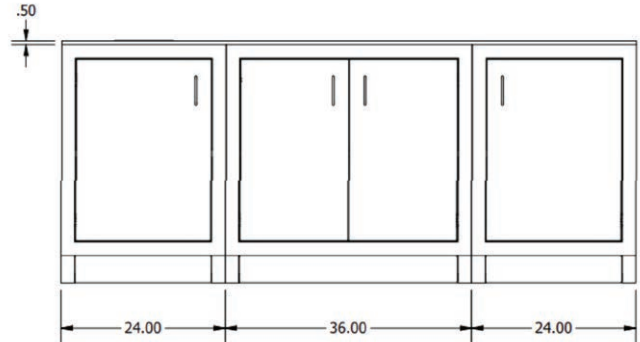
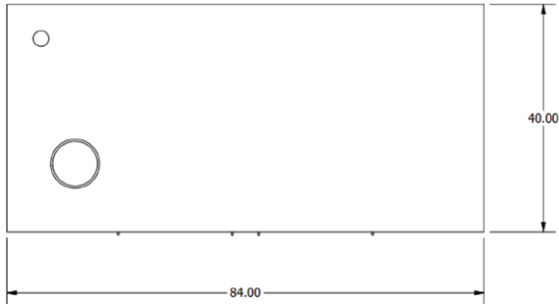
RGX Hospitality Bar: \$5,048.18

Total List price: \$12,976.32



# RGX - Lounge Station

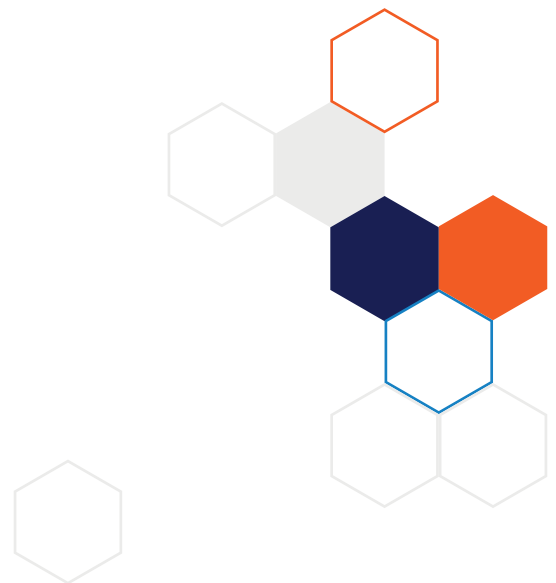
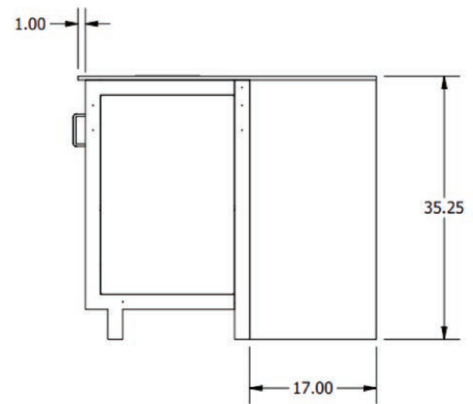
## Specifications



## Specifications as Seen at Neocon

- Thinscape, Pietra Noir TS405 (Worksurface)
- HPL, Nile Velvet (Front)
- Black Textured Steel (Frame)
- 8in DIA. X 2in DEEP Trash Groment
- Black Wire Handles (Pulls)

List Price as Shown: \$11,020.08



## Surface Options

### Phenolic Resin Countertops



Black



Gray



White

### Epoxy Resin Countertops



Black

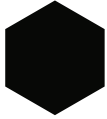


Gray



White

### High Pressure Laminate



Black



Gray



White

### Stainless Steel Countertops



Stainless Steel



Walnut Heights  
7965



Studio Teak  
7960



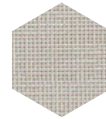
Kensington Maple  
10776



Norwegian Ash  
8241



Portico Teak  
8210



Classic Linen  
4943



Frosty White  
1573



Dove Grey  
D92

### Hospitality Countertops

The chart includes a comparison ranking from 1-5, with 5 being the highest in the given category, and 1 being the lowest.

	MAPLE/WALNUT/ OAK BUTCHER BLOCK	HIGH-PRESSURED LAMINATE	WILSONART LAMINATE OVER PHENOLIC
MATERIAL	Crafted Hardwood	Layers of wood fiber & paper with melamine resin	Kraft Paper & Resin Based
IMPACT RESISTANCE	3	4	4
SCRATCH/ GOUGE RESISTANCE	3	1	1
DEFLECTION	5	2	3
DEFORMATION	2	4	5
LEAD TIME	4	1	2
PRICE			

## Finishes

### Powder Coat Finish Options for Frames and Steel Panels



## Accessories

ADA compliant knee panels and base cabinets available.

### Fronts Material

Door & drawer fronts are available in powder-coated steel, 0.75" phenolic, or edge-banded laminate. Steel fronts match frame color by default, but custom combinations are possible. Ask your sales representative for available finish options in phenolic & HPL/LPL. Lead times subject to change.

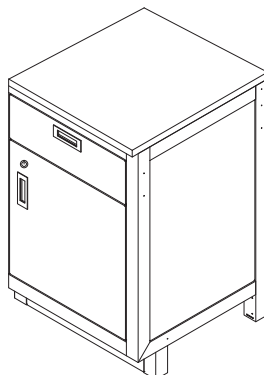
### Pulls

Solid machined aluminum wire or flush pulls with 4" nominal width. Available in matte clear or black anodized finish. Wire pulls are standard with phenolic and HPL/LPL fronts. Flush pulls are standard with CRS fronts.



### Locks


5-Disc tumbler locks are offered on all RGX models.








 **FORMASPACE**

 800.251.1505

 [design.consultant@formaspace.com](mailto:design.consultant@formaspace.com)

 [formaspace.com](http://formaspace.com)